

Attention



Special notes and cautionary measures which can prevent damage to the accessory or motorcycle.

Note:

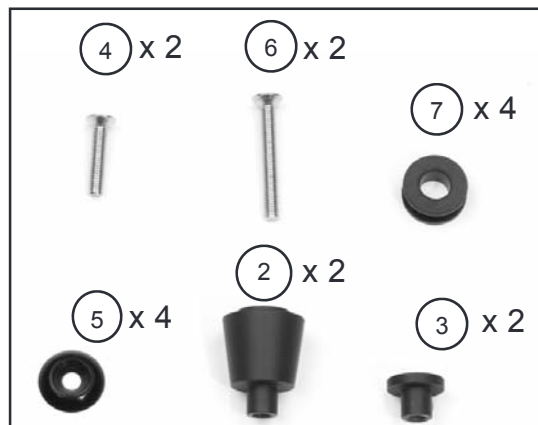
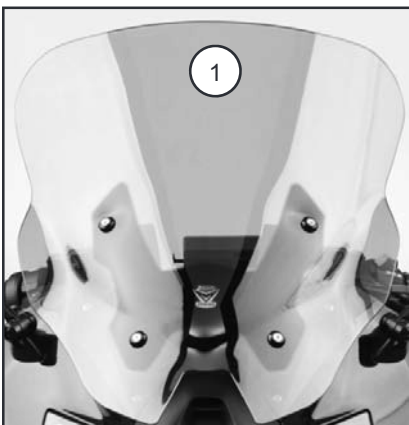


Tips for facilitation of operation, control and adjustment, as well as maintenance work.

Thank you for purchasing a ZTechnik® Windshield. Check contents of this package against parts list. Report any missing parts to your dealer or ZTechnik directly. The following information is necessary: Bag Number and Date Stamp(s) on outside of Kit or Box and Place of Purchase.

Z2373, Z2374 and Z2375 Parts List

Index	Part Number	Description	Qty.	Notes
1		Windshield, Hardcoated Lexan® polycarbonate	1	Not Pictured
Bag#1217				
2	49-495281-000	Bushing, Large, Top	2	
3	49-495282-000	Bushing, Small, Bottom	2	
4	51-514119-000	Hex Screw, M5 x 25 Stainless Steel	2	
5	34-346048-000	Cap, Black	4	
6	51-514142-000	Hex Screw M5 x 45 Stainless Steel	2	
7	44-447350-000	Grommet	4	



TOOLS REQUIRED:
 Torx Wrench, T25
 Allen Wrench, 3mm



Figure 1

PREPARATION

1. Position the motorcycle securely on its stand.
2. Remove the OEM Windshield. Hardware will not be re-used. (T25 Torx Wrench) Figure 1

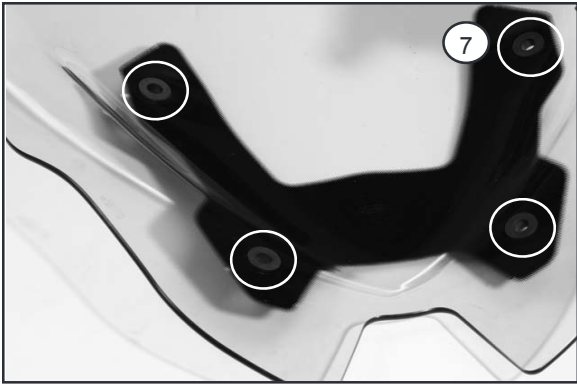


Figure 2

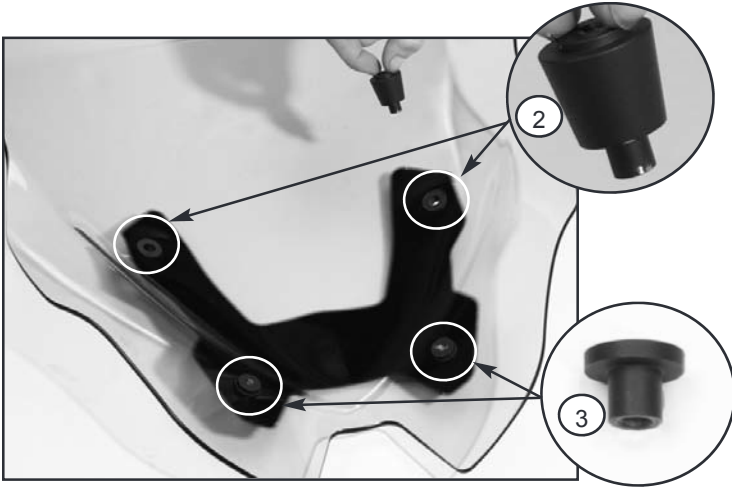


Figure 3

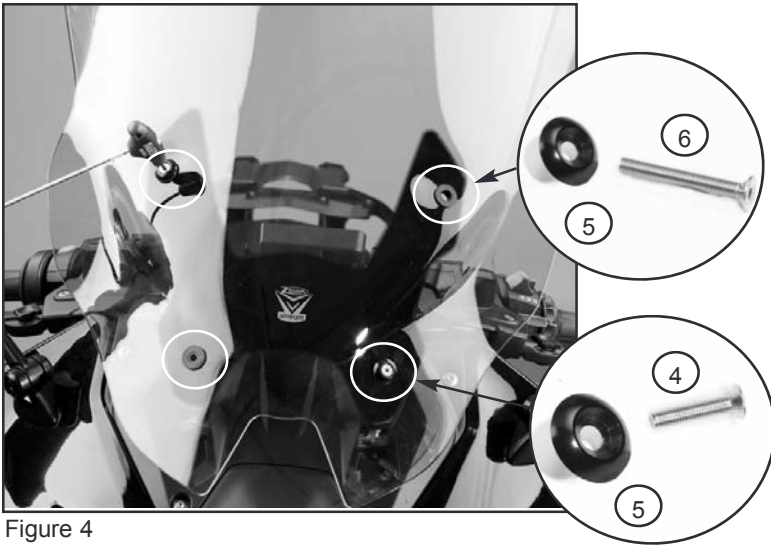


Figure 4

INSTALLATION

Install Grommets and Bushings

1. Insert 1 Grommet (7) into each hole in windshield. Figure 2

2. On windshield, insert a Large Bushing (2) into each upper hole of grommet. Figure 3

3. On windshield, insert a Small Bushing (3) into each lower hole of grommet. Figure 3

Install Windshield on Motorcycle

4. Secure Windshield to OEM mounts at the 2 upper hole locations with a cap (5) and a M5 x 45 Screw (6). (3mm Hex Key) Figure 4

5. Secure Windshield at the 2 lower hole locations with a cap (5) and a M5 x 25 Screw (4). (3mm Hex Key) Figure 4

6. Tighten all 4 screws securely. (3mm Hex Key) Figure 4

MAINTENANCE

To clean the screen, wash with a clean soft cloth, plenty of warm water and if necessary, a non-abrasive soap such as dishwashing liquid. Flannel or soft chamois make good cleaning cloths. Paint, glue residue or grease removal: Moisten cotton with Naphtha or Turpentine followed by a wash as above. National Cycle Shield Wash™ makes a good daily cleaner and comes with a handy travel size bottle. N1401-01 Shield Wash is safe for helmet visors.

Do not clean polycarbonate in hot sun or high temperatures. Do not clean the screen with glass cleaners. Do not use rain protective products on the screen other than National Cycle brand Rain Zip®, Part No. N1410-01. Do not allow brake fluid, alcohol, or strong solvents to contact the screen.



WARNING

Never ride your motorcycle with loose accessory mounting hardware. Check the hardware for tightness regularly.

Today's motorcycles are built with enough frame rigidity to withstand the moderate loads imposed on them by the foreseeable addition of an accessory(ies). If an accessory(ies) adversely affects your motorcycle's stability, immediately remove the accessory(ies). Do not ride a motorcycle that exhibits unsafe handling traits.

Have experienced service personnel correct any problem before riding with the accessory(ies) installed. For further questions concerning handling problems associated with an accessory(ies), contact your dealer, motorcycle manufacturer, or accessory manufacturer.

Sunlight reflected off the inside curvature of the windshield can, at certain times of day, cause extreme heat buildup on the motorcycle's instruments and possibly even melt them. Exercise care in parking to avoid this. Park your motorcycle facing the sun or place an opaque object over this area.



ZTechnik 3-Year Limited Warranty

Register your windshield on Line at: www.ZTechnik.com

ZTechnik hereby warrants to the original registered owner of a ZTechnik polycarbonate windshield for a period of three years from the date of purchase against breakage. This limited warranty is expressly limited to the replacement of the polycarbonate windshield. This limited warranty does not include scratches, coating failure, cosmetic wear and tear, replacement of hardware, or any consequential damages or expenses including labor cost of installation, removal and/or replacement, inconvenience, inbound freight expenses or damage to any other component of the motorcycle or any other accessories. Certain chemicals, generally known as acidic hydrocarbons, are known to cause polycarbonate damage and will not be covered under this limited warranty. Please refer to the cleaning instructions supplied with all ZTechnik windshields.

Visit www.ZTechnik.com for further details or call or write ZTechnik / PO Box 158 / Maywood, IL 60153 / 708-3430400

ZTechnik PO Box Maywood, IL 60153-0158 USA

708-343-0400 / Fax: 708-343-0625 / www.ZTechnik.com / e mail: info@ZTechnik.com

©2016 National Cycle, Inc.

Page 3 of 3

10-118605-000 04/16