



INSTALLATION AND OWNER'S MANUAL
Z5220 Stabilizer Bracket Kit
 Stabilizes ZTechnik® or other brand windshields
 on the R1200GS LC

Attention



Special notes and cautionary measures which can prevent damage to the accessory or motorcycle.

Note:

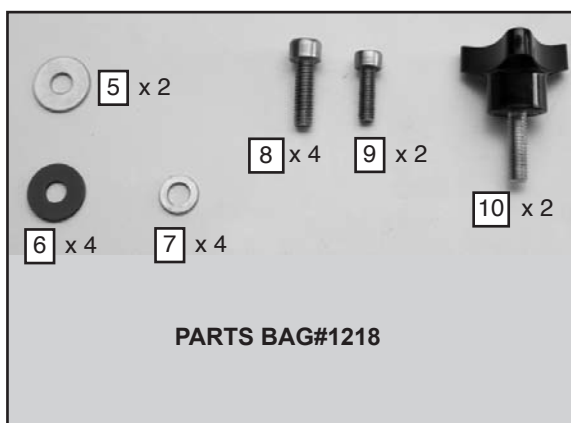
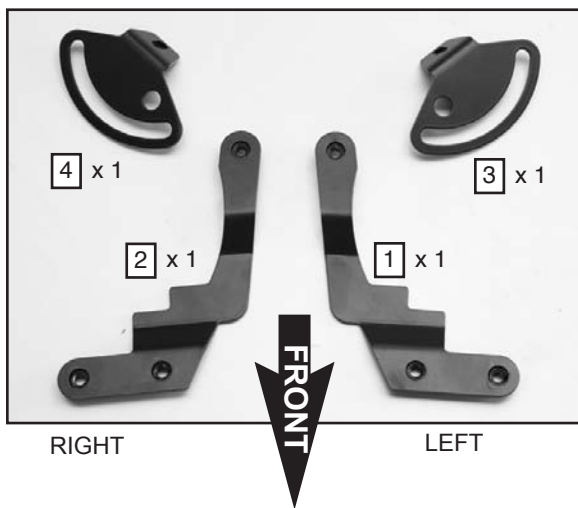


Tips for facilitation of operation, control and adjustment, as well as maintenance work.

Thank you for purchasing a ZTechnik Product. Please check contents of this package against parts list. Report any missing parts to your dealer or ZTechnik directly. The following information is necessary: Bag Number and Date Stamp(s) on outside of Kit or Box and Place of Purchase.

Z5220 Parts List

Index	Part Number	Description	Qty.	Notes
1	37-374480-000	Bracket, Arm, Left	1	
2	37-374481-000	Bracket, Arm, Right	1	
3	37-374478-000	Bracket, Swing, Left	1	
4	37-374479-000	Bracket, Swing, Right	1	
Bag#1218				
5	49-490513-000	Washer, Stainless Steel, 18mm OD	2	
6	49-490583-000	Washer, Black, #12 Nylon	4	
7	49-490511-000	Washer, Stainless Steel, 12.5mm OD	4	
8	51-515327-000	Screw, M6 Stainless Steel	4	Allen Wrench 5mm, Box Wrench 10mm
9	51-515217-000	Screw, M5 Stainless Steel	2	Allen Wrench 4mm
10	44-443538-000	Knob, Black M6	2	



Right and left side of motorcycle is determined while sitting on the bike.



TOOLS REQUIRED:

Torx Wrench, T25, T30 for removal of stock OEM parts

Allen Wrench, 4mm and 5mm
 Box Wrench, 10mm

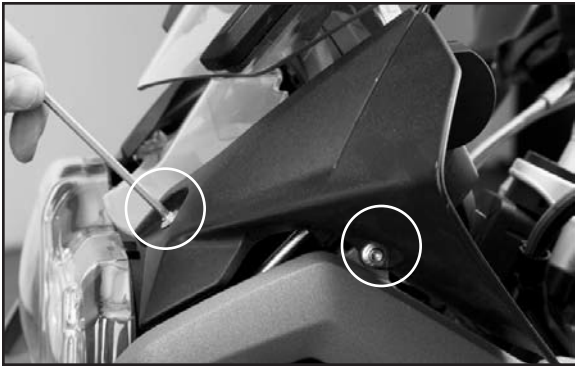


Figure 1



Figure 2

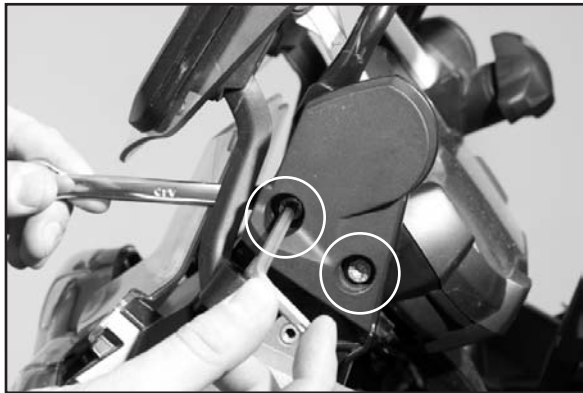


Figure 3

PREPARATION

1. Position the motorcycle securely on its center stand.

Remove OEM Cockpit Fairing

2. Remove the Left and Right Cockpit Fairing from motorcycle. **(T25 Torx Wrench) Figure 1**

Remove WindsWYYb

3. Remove the Windscreen from the mount arm. This is easiest when the windshield mechanism is in the upward position. **(T25 Torx Wrench or other tool depending on your windsWYYb) Figure 2**

Remove Cover for Coil Springs

4. On Left side of motorcycle, remove the two OEM Screws holding the Coil Spring Cover. **(T30 Torx Wrench) Figure 3**

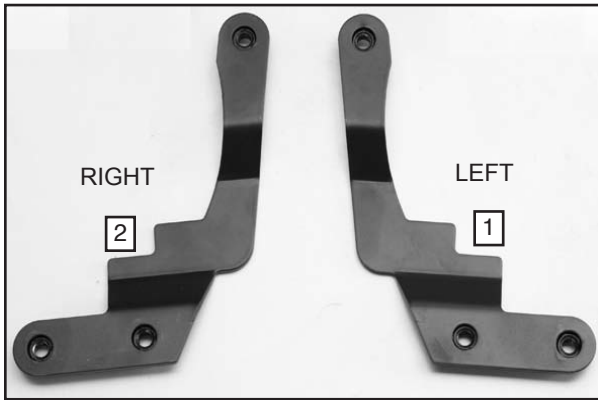


Figure 4

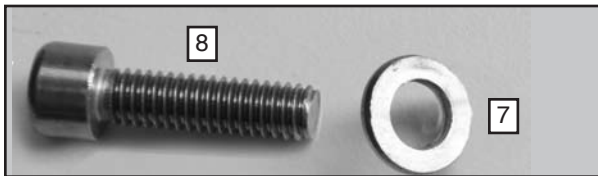


Figure 5

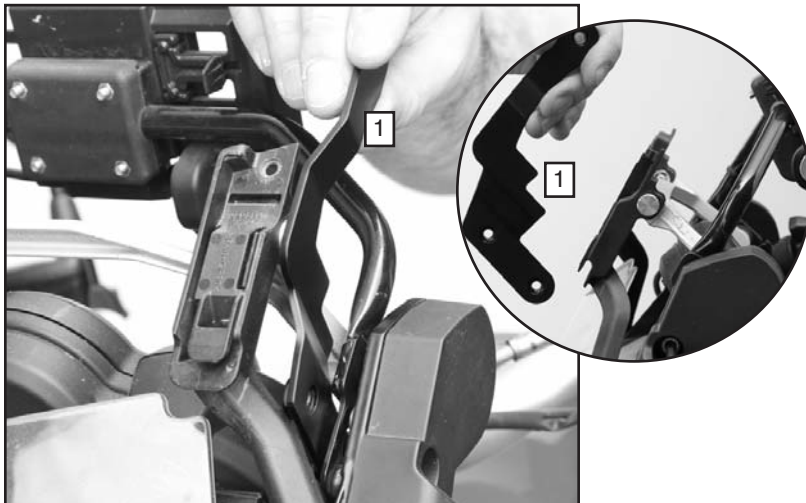


Figure 6

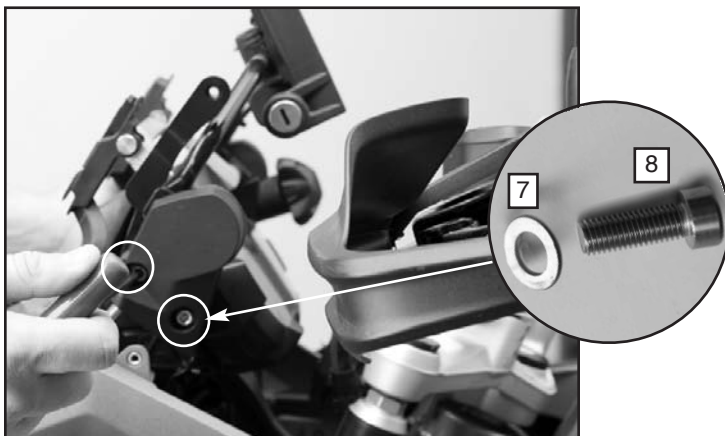


Figure 7

INSTALLATION

Install Bracket Arms (1) and (2)

1. Identify Left Bracket Arm. **Figure 4**

2. Make four Screw assemblies using [] ^ M6 Screw (8) and [] ^ Washer (7). **Figure 5.**

3. Insert the Left Bracket Arm to the *Inside* of the GPS bracket. Install c [] of the M6 Screw Assemblies through Coil Spring Cover and into Bracket Arm (1). **(5mm Allen Wrench) Figure 6 and 7.**

4. Repeat procedure on Right side of motorcycle. Tighten all Screws firmly. **(5mm Allen Wrench) Figure 6 and 7.**

5. Re-install Winds&^^} onto mount arm. This is easiest when the winds&^^} mechanism is in the upward position. **Figure 8**



Figure 8

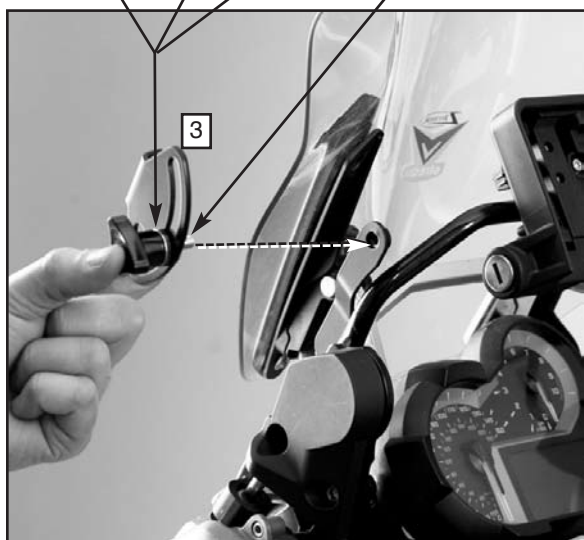
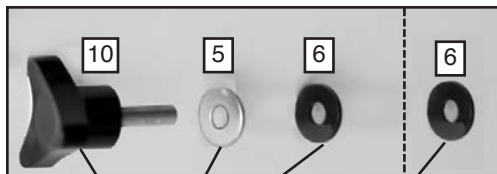


Figure 9



Figure 10

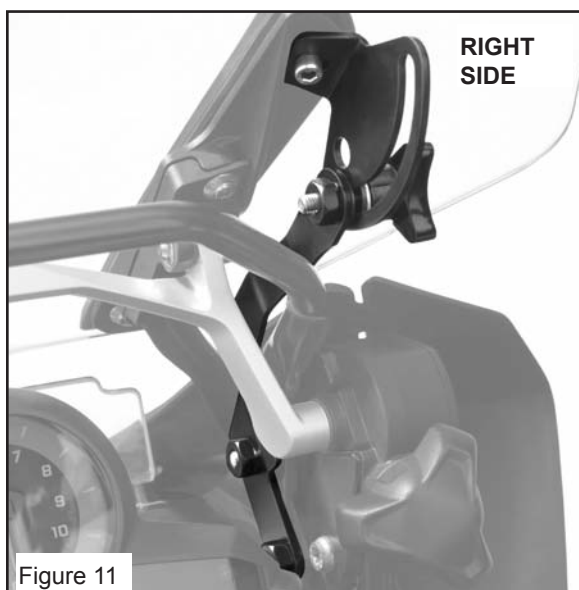
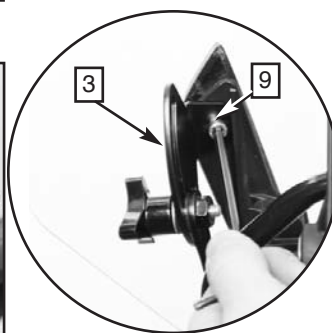


Figure 11

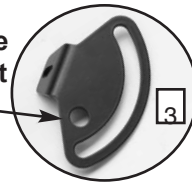
INSTALLATION

Install Swing Bracket

6. Assemble Washer (5) and Nylon Washer (6) onto threaded end of Knob (10). Insert Assembly through slot in Swing Bracket (3) and finish with a Nylon Washer (6). **Figure 9.**



When properly install, the hole in the Swing Bracket will face down.



7. From the outside, thread Knob Assembly into the top hole on Bracket Arm (1) **Figure 9.**

8 Secure Swing Bracket to Windshield Bracket using the M5 Screw (9). **(4mm Allen Wrench)** **Figure 10**

9. Repeat steps 6-9 on Right side of motorcycle. **Figure 11**

10. Tighten all 6 Screws securely. Periodically check tightness of all fasteners.

OPERATION

1. The ZTechnik® Bracket Arm stabilizes the OEM Shield Mount Bracket and helps cut down on windshield vibration. To adjust windshield, loosen the Left and Right Knobs, adjust shield height, re-tighten knobs.

Enjoy your Ride!